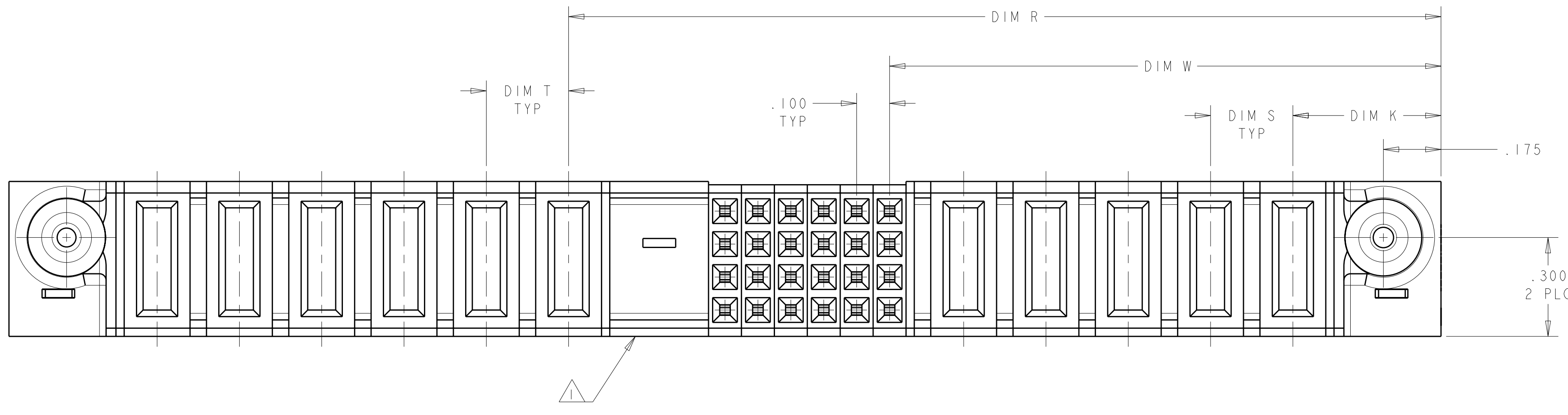
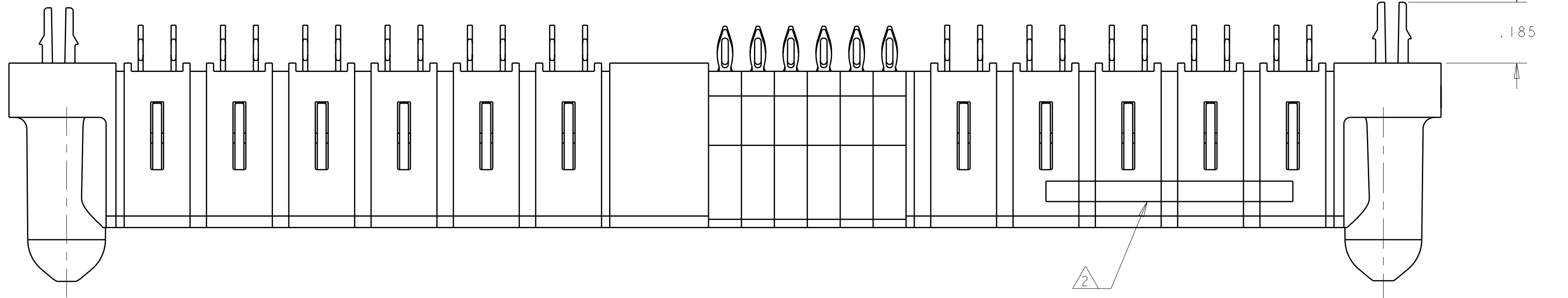
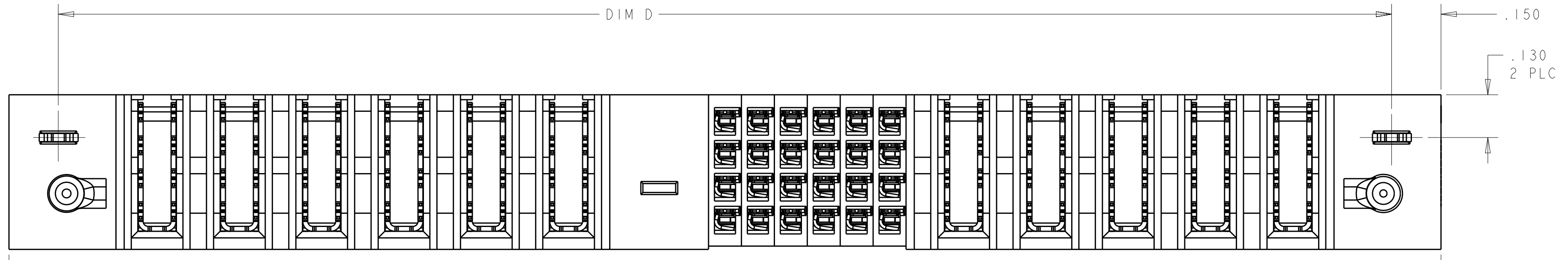
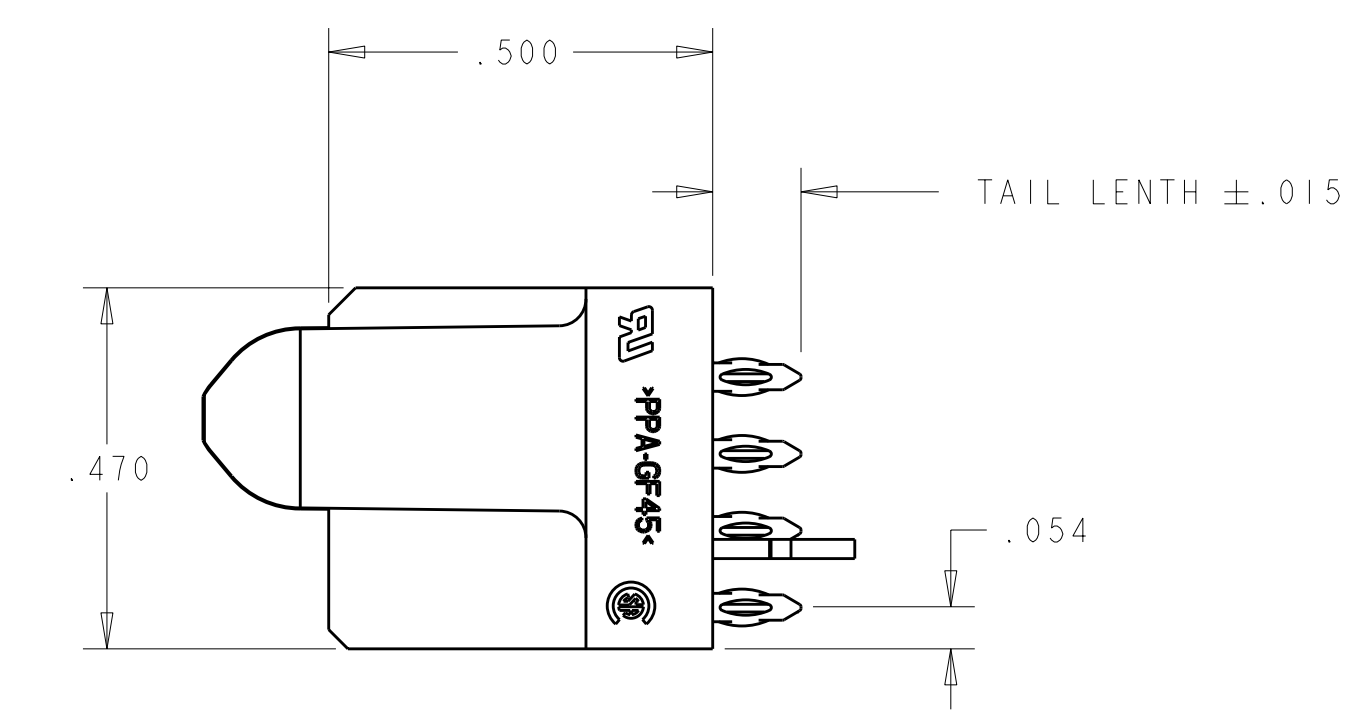


LOC	DIST	REV	DATE	BY	CHK	APPV
ES	00					
		S	10MAY2001	CZ		SY
		S1	8JUN2007	SZ		SY
		S2	26AUG2008	HL		SY
		T	08OCT2008	HL		SY



- 1 OPTIONAL CENTER MODULE, WITH Ø.150 THRU HOLE OR HOLD DOWN FEATURE
- 2 "AMP", PART NUMBER AND DATE CODE TO BE MARKED IN AREA SHOWN PARTS UNDER 2.00 LONG MAY BE MARKED ON BOTH SIDES
- 3 MATERIAL: HOUSING - GLASS FILLED HIGH TEMP THERMO PLASTIC, UL94 V-0  
 SIGNAL CONTACT - HIGH CONDUCTIVITY COPPER ALLOY  
 POWER CONTACT - HIGH CONDUCTIVITY COPPER ALLOY
- 4 CONTACT PLATING: SIGNAL CONTACTS - .000050 MIN Ni UNDER ALL  
 .000030 MIN Au ON CONTACT AREA  
 .000100 MIN SnPb AT PCB INTERFACE  
 POWER CONTACTS - .000050 MIN Ni UNDER ALL  
 .000030 MIN Au ON CONTACT AREA  
 .000100 MIN SnPb AT PCB INTERFACE  
 HOLD DOWN - .000050 MIN Ni UNDER ALL  
 .000030 MIN MATTE Sn OVER ALL.
- 5 MECHANICAL CONNECTOR KEEP OUT ZONE
- 6 DATUM AND BASIC DIMENSIONS ESTABLISHED BY CUSTOMER
- 7 PCB - ALL HOLE DIAMETERS ARE FINISHED HOLE SIZES
- 8 PCB - 0.0453 ±.0010 DRILLED HOLES PLATED WITH .0003 MIN SnPb OVER .001 TO .003 Cu PLATING TO ACHIEVE A .040 ±.003 HOLE
- 9 NOT RELEASED FOR PRODUCTION
- 10 VARIABLE DIMENSION SHOWN VIEW (SHEET 2,6)

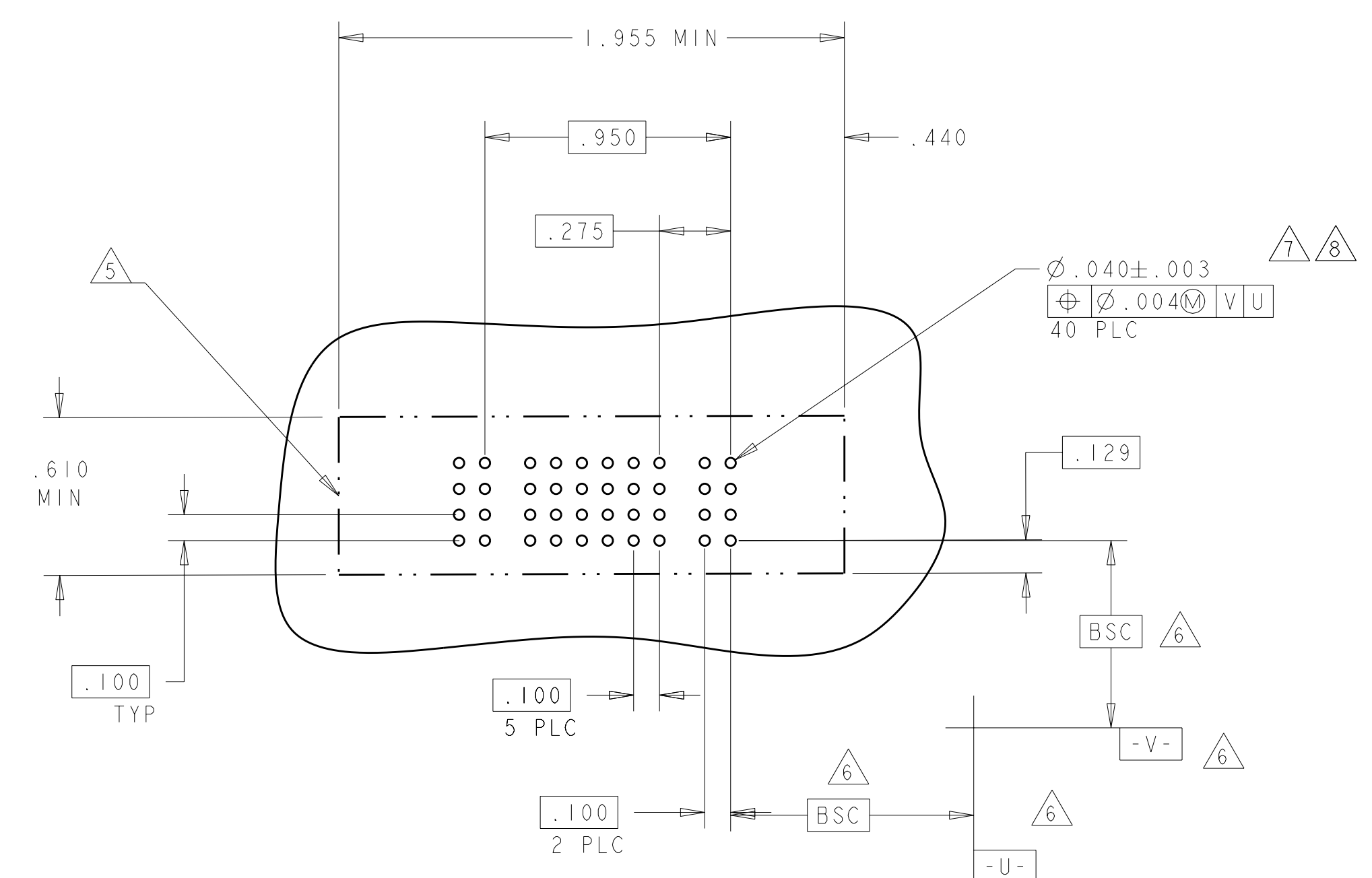


1.950	1.900	.250	.250	1.550	.875	-	2.250	.450	2P + 24S + 2P	5-1450540-8
5.150	5.100	.250	.250	3.250	2.375	-	5.450	.450	8P + 32S + 8P	4-1450540-9
2.450	2.400	.250	.250	1.800	1.125	-	2.750	.450	3P + 24S + 3P	2-1450540-0
4.600	4.550	.250	.250	3.025	2.100	-	4.900	.450	6P + 32S + 6P	1-1450540-9
-	5.450	.250	.250	3.075	2.425	-	5.800	.425	10P + 24S + 12P	1-1450540-4
3.250	3.200	.200	.200	2.125	1.575	-	3.550	.425	6P + 20S + 6P	1-1450540-2
-	1.400	.250	.250	1.300	.625	-	1.750	.450	1P + 24S + 1P	1450540-7
-	2.400	.250	.250	2.050	1.375	-	2.750	.450	4P + 24S + 2P	1450540-6
-	3.100	.250	.250	2.000	1.625	-	3.450	.450	5P + 12S + 5P	1450540-5
-	3.400	.250	.250	2.050	1.375	-	3.750	.450	4P + 24S + 6P	1450540-4
-	7.400	.250	.250	5.050	2.875	-	7.750	.450	10P + 84S + 10P	1450540-3
-	4.000	.250	.250	2.650	1.675	2.225	4.350	.450	5P+24S+1M+6P	1450540-2
-	1.575	-	-	1.425	.700	-	1.925	.475	1P + 24S + 1P	1450540-1
D	U	T	S	R	W	M	L	K	DESCRIPTION	PART NUMBER

DIMENSIONS: INCHES TOLERANCES UNLESS OTHERWISE SPECIFIED: 9 PLC ±.01 5 PLC ±.005 4 PLC ±.0020 ANGLES ±.020		DIMENSIONS: INCHES TOLERANCES UNLESS OTHERWISE SPECIFIED: 9 PLC ±.01 5 PLC ±.005 4 PLC ±.0020 ANGLES ±.020		DIMENSIONS: INCHES TOLERANCES UNLESS OTHERWISE SPECIFIED: 9 PLC ±.01 5 PLC ±.005 4 PLC ±.0020 ANGLES ±.020		DIMENSIONS: INCHES TOLERANCES UNLESS OTHERWISE SPECIFIED: 9 PLC ±.01 5 PLC ±.005 4 PLC ±.0020 ANGLES ±.020		DIMENSIONS: INCHES TOLERANCES UNLESS OTHERWISE SPECIFIED: 9 PLC ±.01 5 PLC ±.005 4 PLC ±.0020 ANGLES ±.020		DIMENSIONS: INCHES TOLERANCES UNLESS OTHERWISE SPECIFIED: 9 PLC ±.01 5 PLC ±.005 4 PLC ±.0020 ANGLES ±.020	
MATERIAL: PPA-GF45		FINISH:		WEIGHT:		CUSTOMER DRAWING		DWN: S. SNYDER 27JUN2001 CHK: M. SHERMAN 18JUL2001 APPV: M. SHERMAN 18JUL2001		Tyco Electronics Corporation Shanghai, P.R.China. 200233	
PRODUCT SPEC: 108-1973		APPLICATION SPEC: 114-13038		NAME: VERTICAL RECEPTACLE ASSEMBLY WITH GUIDES MULTI-BEAM XL		SIZE: A11		CAGE CODE: 00779		DRAWING NO: 1450540	
SCALE: 1:1		SHEET: 1 OF 8		REV: T		RESTRICTED TO:		CUSTOMER DRAWING		SCALE: 1:1	

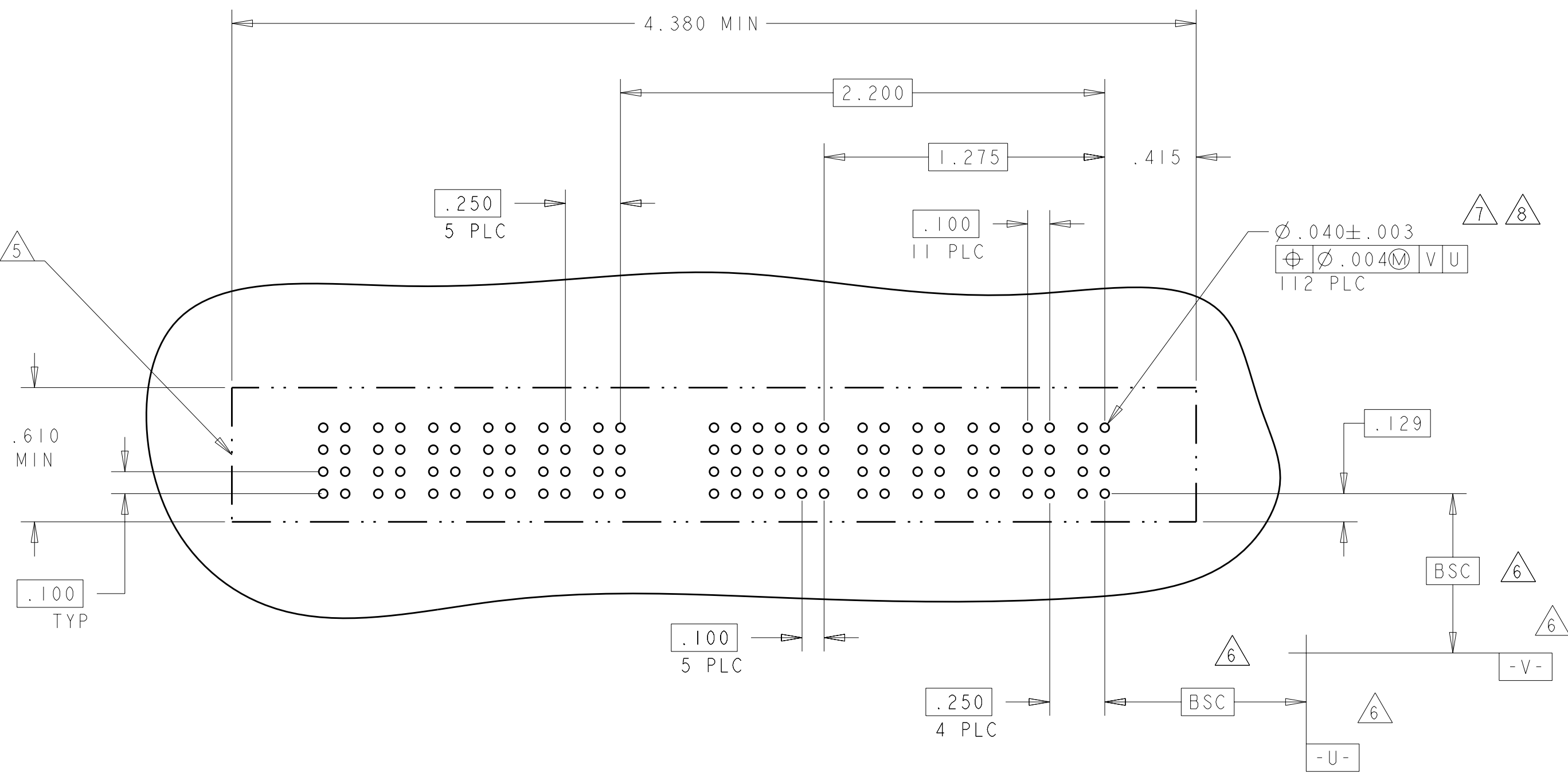
PART NUMBER	ROWS	POWER										SIGNAL										POWER									
		P2	6	5	4	3	2	1	P1	6	5	4	3	2	1	P1	P2	6	5	4	3	2	1	P1							
1450540-1	D C B A	GP										AP										GP									
		GP										AP										GP									
		GP										AP										GP									

IP + 24S + IP



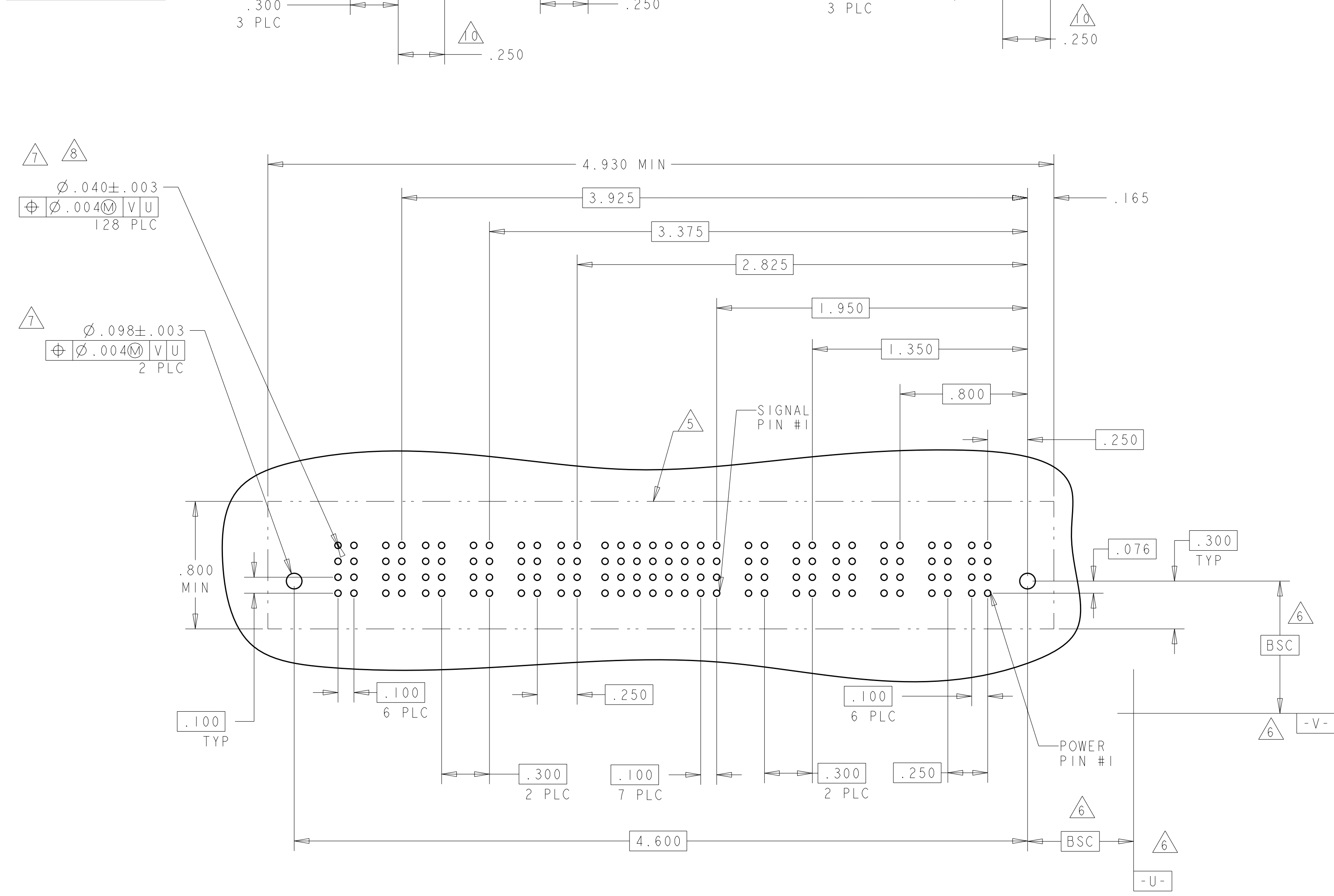
PART NUMBER	ROWS	POWER							SIGNAL							POWER						
		P11	P10	P9	P8	P7	P6	MI	6	5	4	3	2	1	P5	P4	P3	P2	P1			
1450540-2	D C B A	GP							AP							GP						
		GP							AP							GP						
		GP							AP							GP						

5P + 24S + 1M + 6P



PART NUMBER	ROWS	POWER							SIGNAL							POWER						
		P12	P11	P10	P9	P8	P7	8	7	6	5	4	3	2	1	P6	P5	P4	P3	P2	P1	
1-1450540-9	D C B A	VP							P							VP						
		VP							P							VP						
		VP							P							VP						

6P + 32S + 6P



CODE	CONTACT TABLE
HD	HOLD DOWN
P	SIGNAL CONTACT. EYE OF THE NEEDLE .115 LG
VP	POWER CONTACT. MFBL. EYE OF THE NEEDLE .115 LG
HS	STD POWER PRESS FIT CONTACT .165 TAIL LENGTH.
BP	SIGNAL PRESS FIT CONTACT .165 TAIL LENGTH.
GP	MFBL POWER PRESS FIT CONTACT .135 LG
GS	STD POWER PRESS FIT CONTACT .135 LG
AP	SIGNAL PRESS FIT CONTACT .135 LG
CODE	TAIL LENGTH

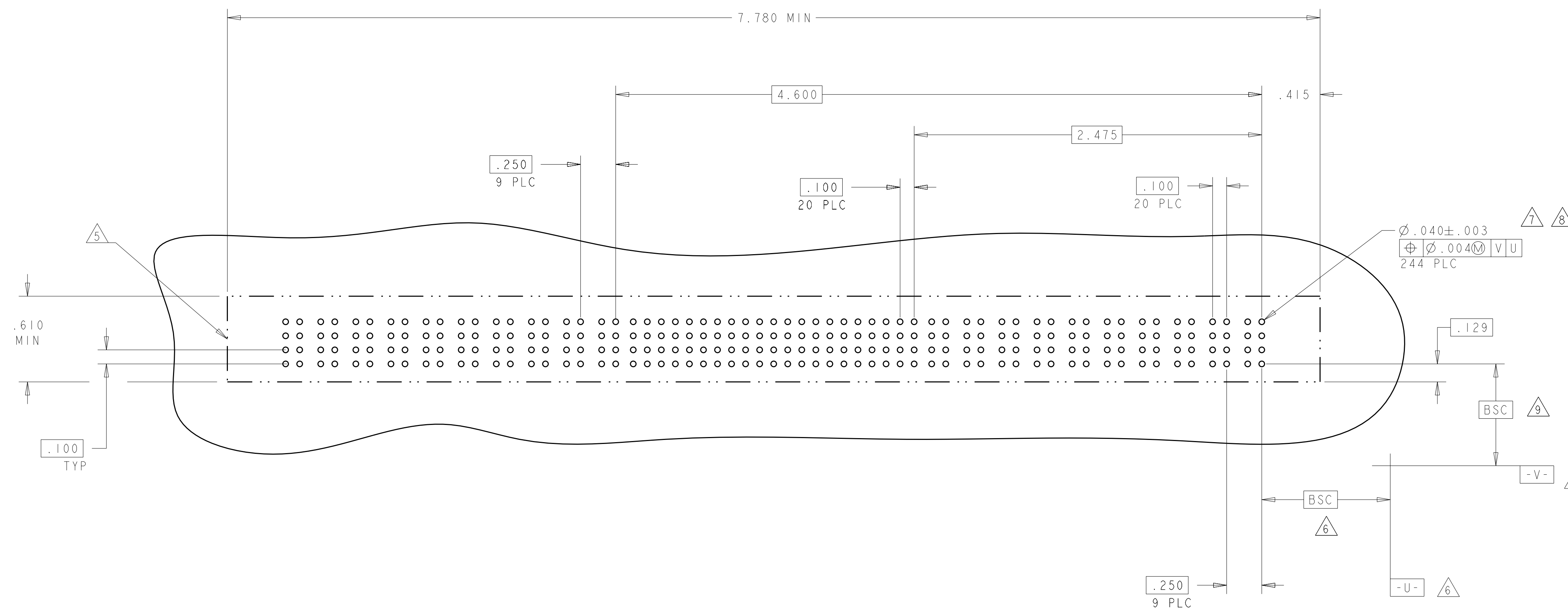
DIMENSIONS: INCHES 		TOLERANCES UNLESS OTHERWISE SPECIFIED: 9 PLC ±.01 5 PLC ±.01 4 PLC ±.005 ANGLES ±.0020		DWN: T. SNYDER 27JUN2001 CHK: M. SHERMAN 18JUL2001 APVD: M. SHERMAN 18JUL2001		Tyco Electronics Corporation Shanghai, P.R.China. 200233	
MATERIAL: - FINISH: -		PRODUCT SPEC: 108-1973 APPLICATION SPEC: 114-13038		NAME: VERTICAL RECEPTACLE ASSEMBLY WITH GUIDES MULTI-BEAM XL		SIZE: A1 CAGE CODE: 00779 DRAWING NO: C=1450540	
CUSTOMER DRAWING				SCALE: 1:1		SHEET: 2 OF 8 REV: T	

LOC	DIST	REV	DATE	BY	CHKD	APVD
ES	00	-	-	-	-	-

REV	DESCRIPTION	DATE	BY	CHKD	APVD
-	SEE SHEET 1	-	-	-	-

PART NUMBER	ROWS	POWER									SIGNAL										POWER																										
		P20	P19	P18	P17	P16	P15	P14	P13	P12	P11	21	20	19	18	17	16	15	14	13	12	11	10	9	8	7	6	5	4		3	2	1	P10	P9	P8	P7	P6	P5	P4	P3	P2	P1				
1450540-3	D C B A	GP	GP	GP	GP	GP	GP	GP	GP	GP	GP	GP	GP	GP	GP	GP	GP	GP	GP	GP	GP	GP	GP	GP	GP	GP	GP	GP	GP	GP	GP	GP	GP	GP	GP	GP	GP	GP	GP	GP	GP	GP	GP	GP			
10P + 84S + 10P																																															



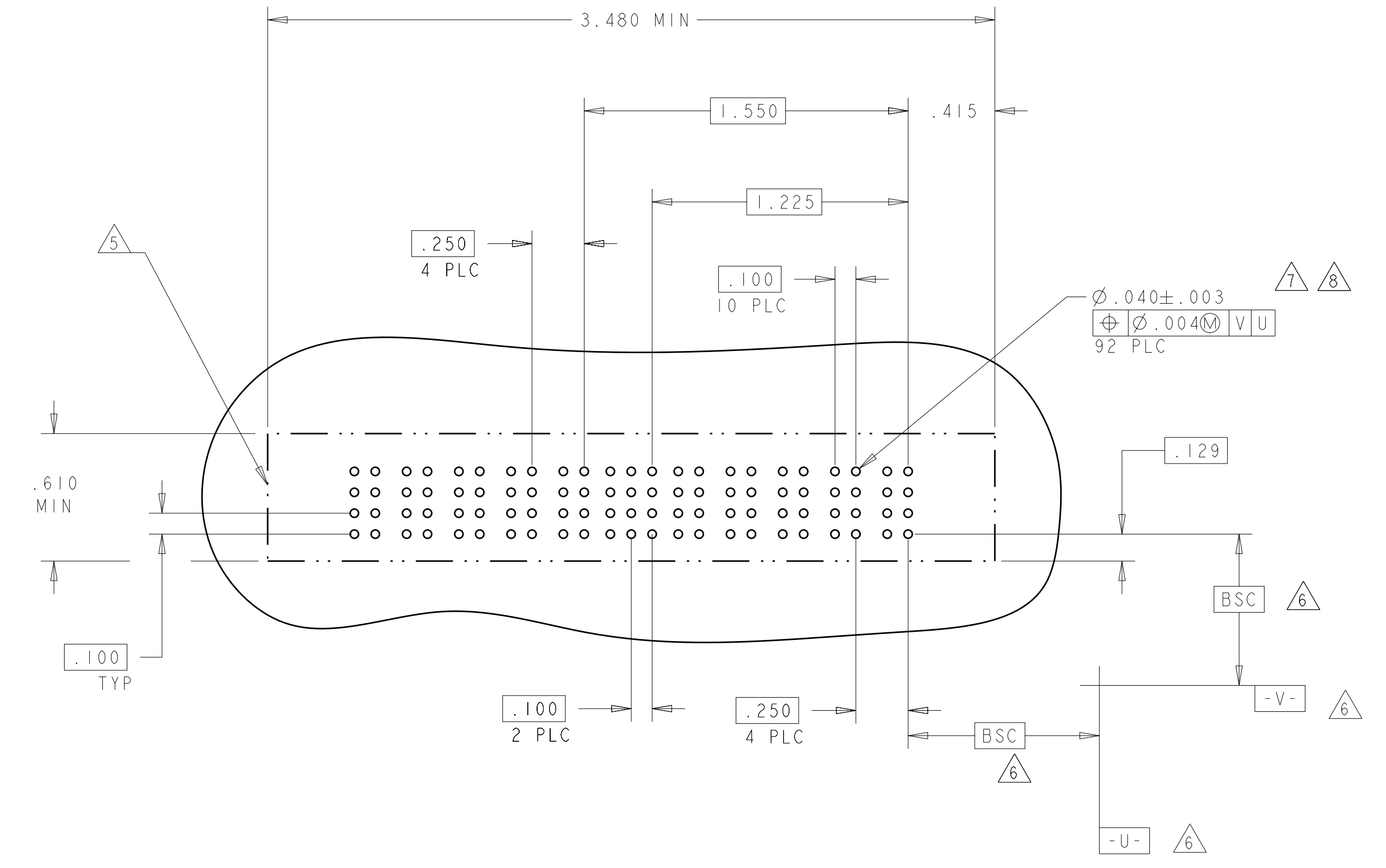
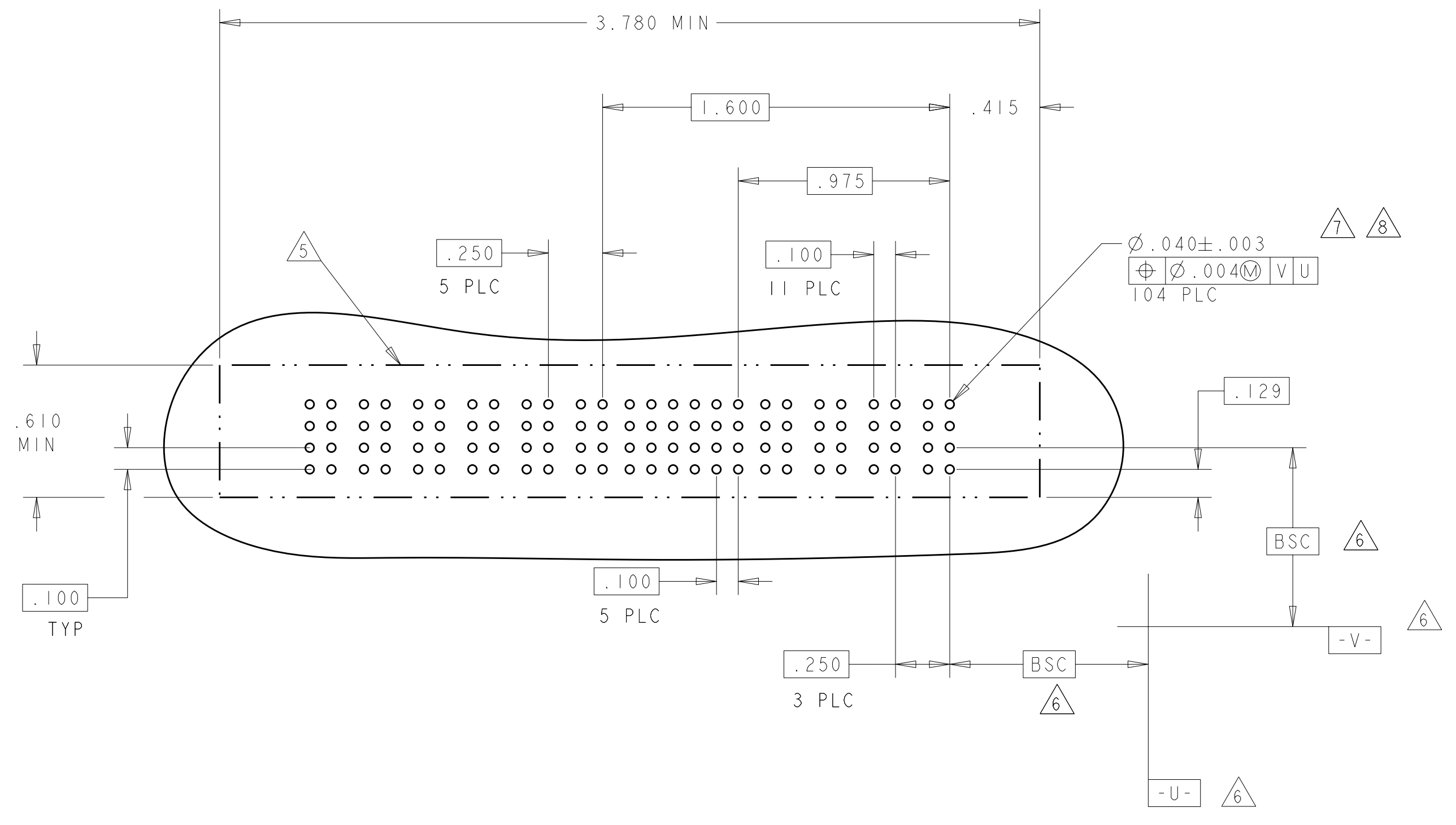
GP	MFBL POWER PRESSFIT CONTACT .135 LG
AP	SIGNAL PRESSFIT CONTACT .135 LG
CODE	TAIL LENGTH
CONTACT TABLE	

DIMENSIONS:	TOLERANCES UNLESS OTHERWISE SPECIFIED:	DATE:	BY:	CHKD:	APVD:
INCHES	9 PLC ± .0010 20 PLC ± .0010 244 PLC ± .0020 ANGLES ± .0020	27 JUN 2001	M. SNYDER	M. SHERMAN	M. SHERMAN
MATERIAL:	FINISH:	PRODUCT SPEC:	NAME:		
-	-	108-1973	VERTICAL RECEPTACLE ASSEMBLY WITH GUIDES MULTI-BEAM XL		
		APPLICATION SPEC:	RESTRICTED TO:		
		114-13038	A1 00779 C-1450540		
		WEIGHT:	SCALE 1:1 SHEET 3 OF 8 REV T		
		-	CUSTOMER DRAWING		

LOC	DIST	REV	DESCRIPTION	DATE	OWN	APVD
ES	00		SEE SHEET 1			

PART NUMBER	ROWS	POWER						SIGNAL						POWER			
		P10	P9	P8	P7	P6	P5	6	5	4	3	2	1	P4	P3	P2	P1
1450540-4	D C B A	GP	GP	GP	GP	GP	GP	AP	AP	AP	AP	AP	AP	GP	GP	GP	GP
		GP	GP	GP	GP	GP	GP	AP	AP	AP	AP	AP	AP	GP	GP	GP	GP
		GP	GP	GP	GP	GP	GP	AP	AP	AP	AP	AP	AP	GP	GP	GP	GP
		GP	GP	GP	GP	GP	GP	AP	AP	AP	AP	AP	AP	GP	GP	GP	GP
4P + 24S + 6P																	

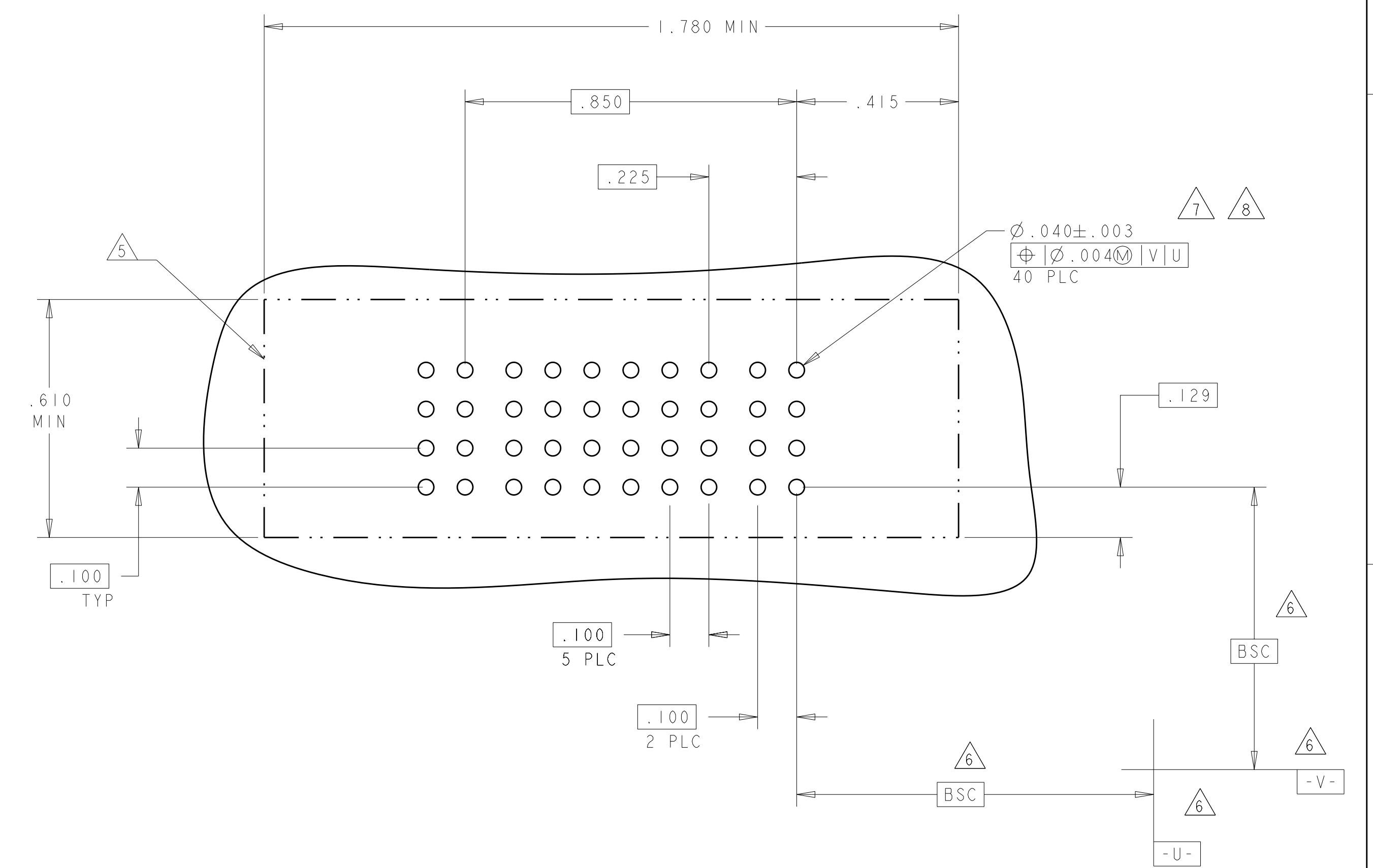
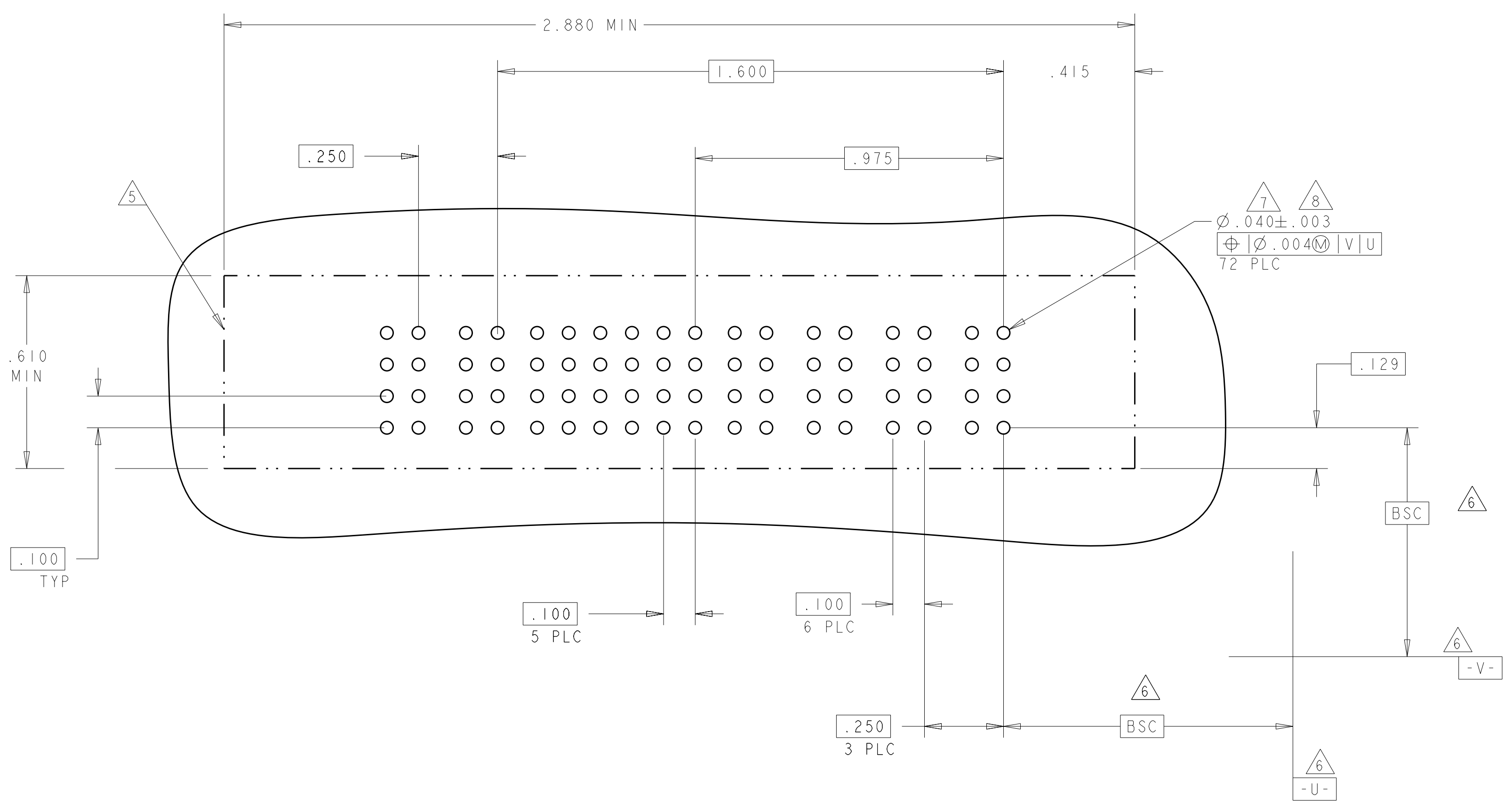
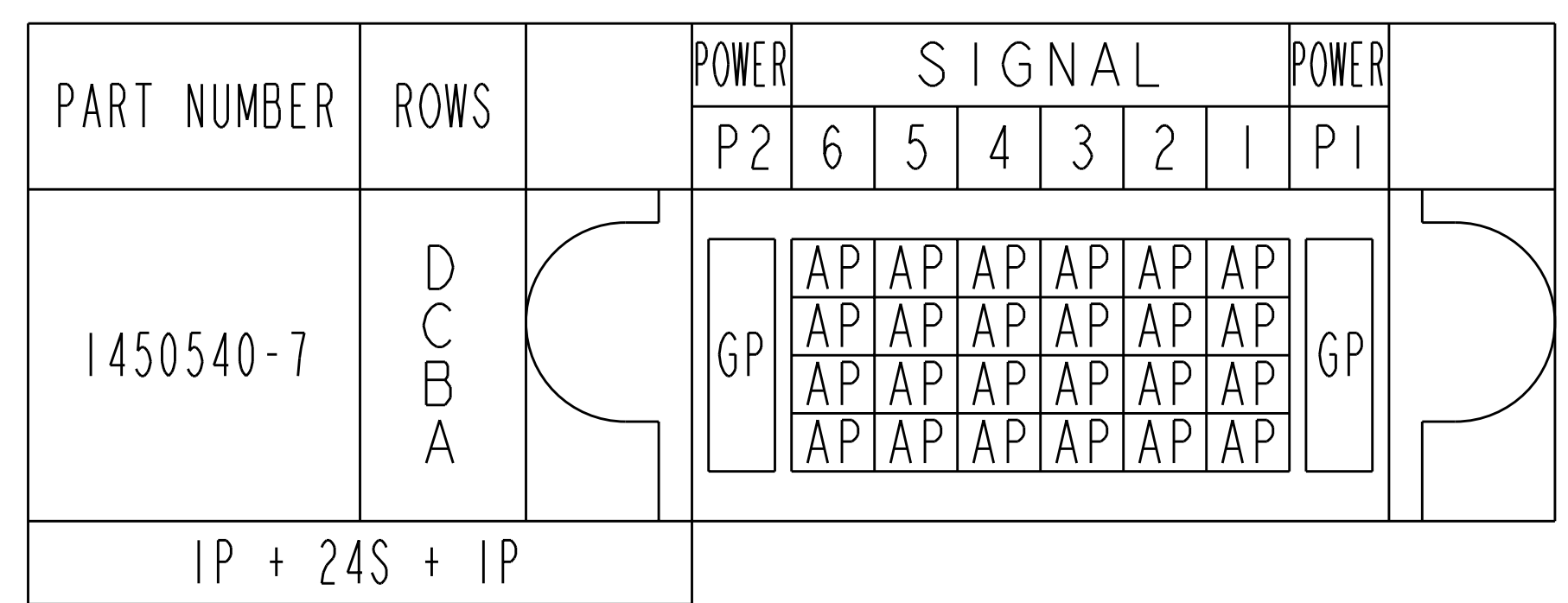
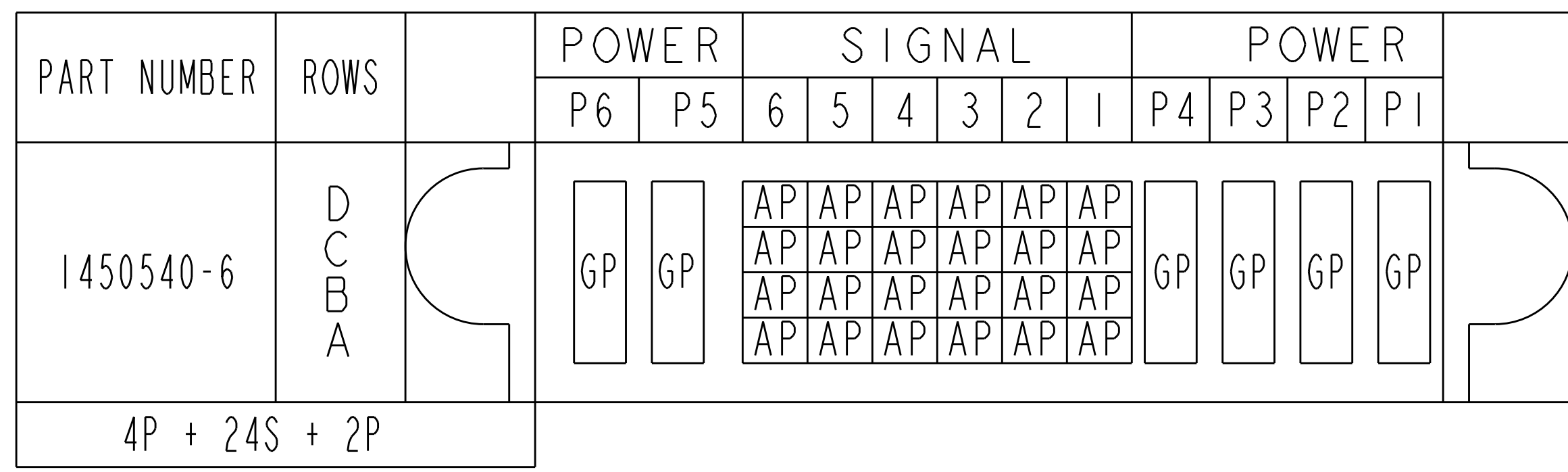
PART NUMBER	ROWS	POWER					SIGNAL			POWER				
		P10	P9	P8	P7	P6	3	2	1	P5	P4	P3	P2	P1
1450540-5	D C B A	GP	GP	GP	GP	GP	AP	AP	AP	GP	GP	GP	GP	GP
		GP	GP	GP	GP	GP	AP	AP	AP	GP	GP	GP	GP	GP
		GP	GP	GP	GP	GP	AP	AP	AP	GP	GP	GP	GP	GP
		GP	GP	GP	GP	GP	AP	AP	AP	GP	GP	GP	GP	GP
5P + 12S + 5P														



GP	MFBL POWER PRESSFIT CONTACT .135 LG
AP	SIGNAL PRESSFIT CONTACT .135 LG
CODE	TAIL LENGTH
CONTACT TABLE	

DIMENSIONS: INCHES TOLERANCES UNLESS OTHERWISE SPECIFIED: 9 PLC ±.01 5 PLC ±.01 4 PLC ±.0020 ANGLES ±.0020 FINISH #2		DWN T. SNYDER 27JUN2001 CHK M. SHERMAN 18JUL2001 APVD M. SHERMAN 18JUL2001 NAME PRODUCT SPEC APPLICATION SPEC 114-13038 WEIGHT CUSTOMER DRAWING		Tyco Electronics Corporation Shanghai, P.R.China, 200233 NAME VERTICAL RECEPTACLE ASSEMBLY WITH GUIDES MULTI-BEAM XL SIZE CAGE CODE DRAWING NO A1 00779 C=1450540 SCALE 1:1 SHEET 4 OF 8 REV T	
--	--	---	--	--	--

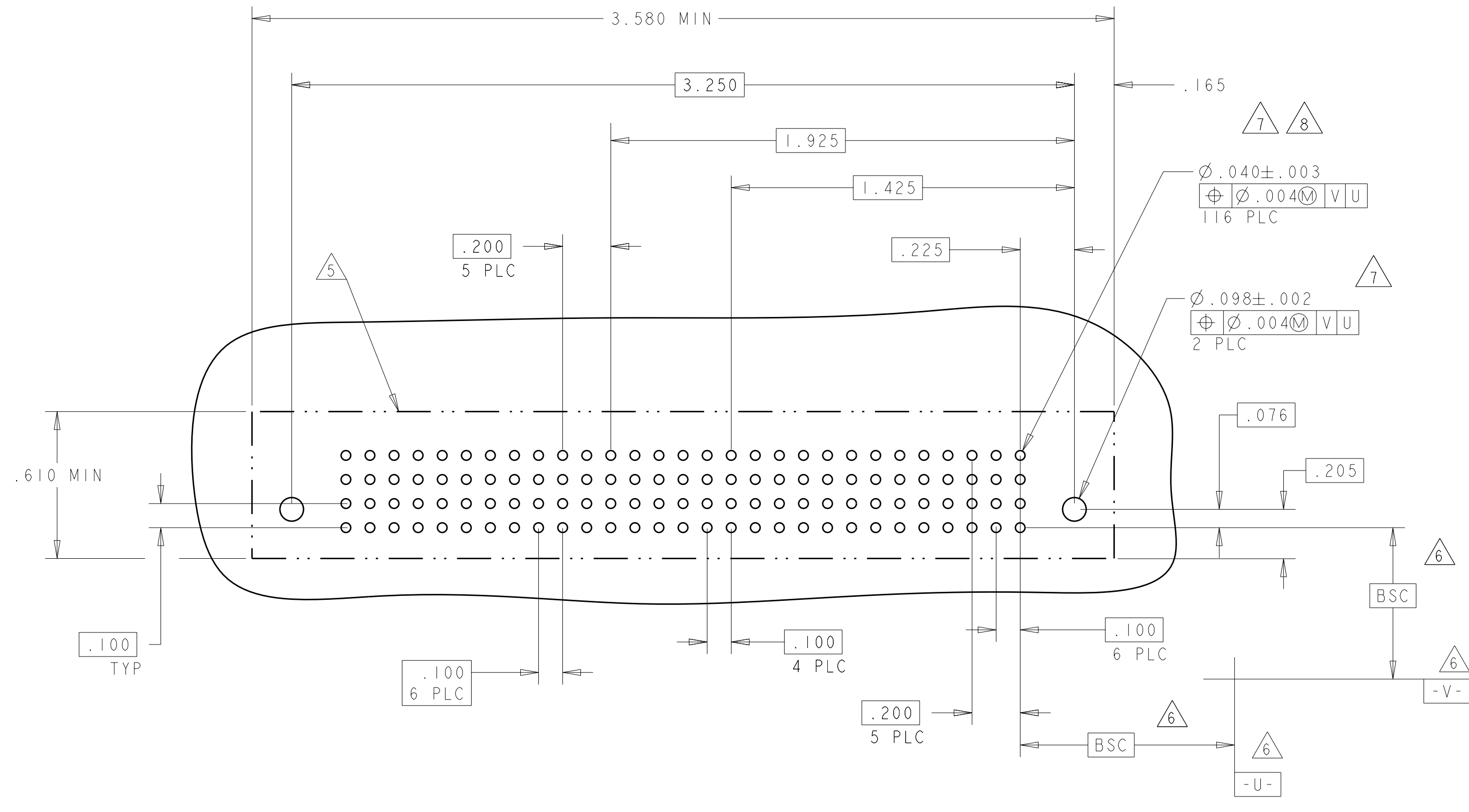
LOC	DIST	REV	DATE	BY	APPD
ES	00				



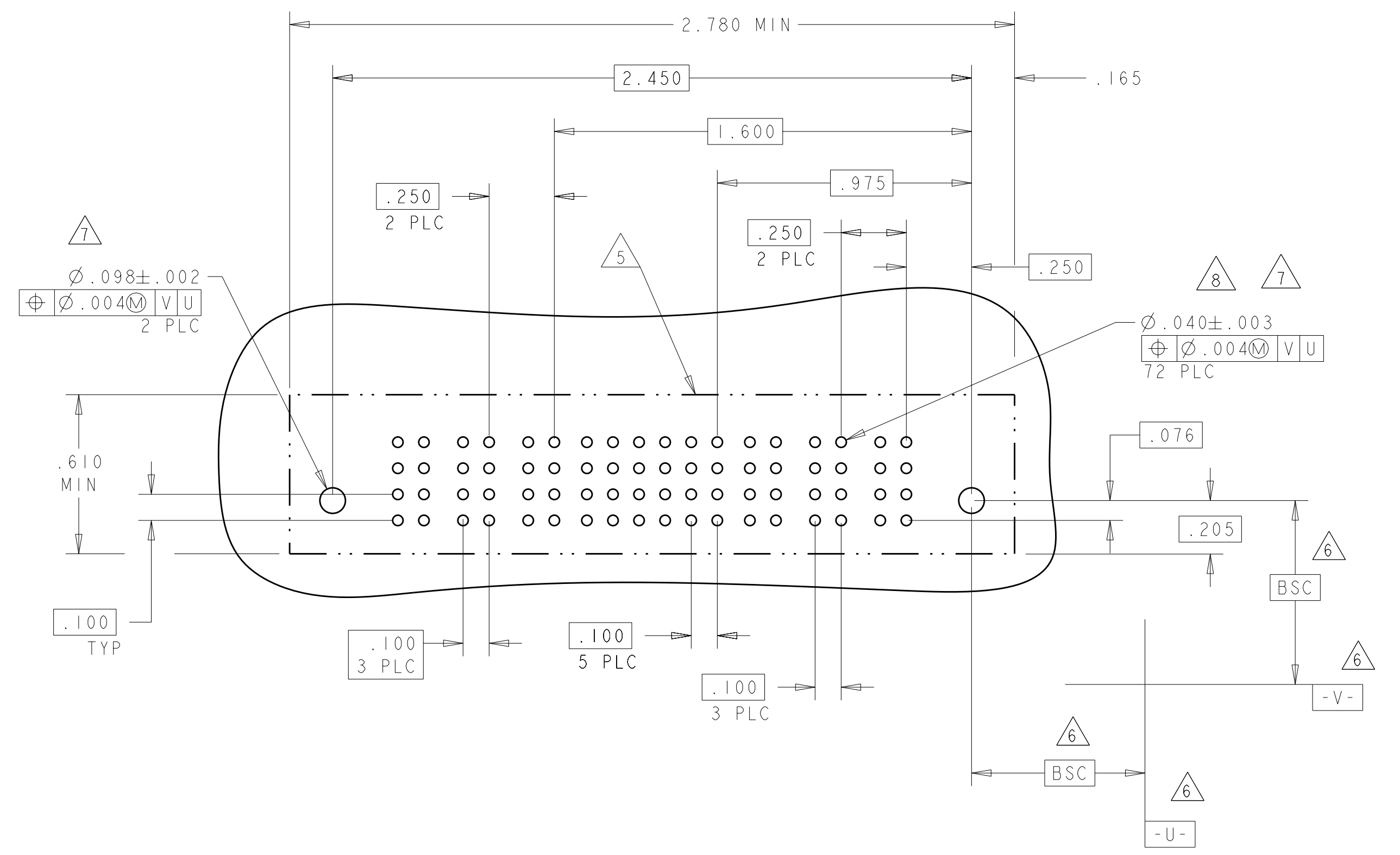
<small>THIS DRAWING IS UNPUBLISHED. RELEASED FOR PUBLICATION. BY TYCO ELECTRONICS CORPORATION, ALL RIGHTS RESERVED.</small>		DWN: T. SNYDER 27JUN2001 CHK: M. SHERMAN 18JUL2001 APVD: M. SHERMAN 18JUL2001	Tyco Electronics Corporation Shanghai, P.R.China, 200233
DIMENSIONS: INCHES 	TOLERANCES UNLESS OTHERWISE SPECIFIED: 9 PLC ±. 8 PLC ±.01 5 PLC ±.005 4 PLC ±.0020 ANGLES ±.020°	NAME: VERTICAL RECEPTACLE ASSEMBLY WITH GUIDES MULTI-BEAM XL PRODUCT SPEC: 108-1973 APPLICATION SPEC: 114-13038 WEIGHT: - FINISH: -	SIZE: A   00779   C=1450540 SCALE: 1:1 SHEET: 5 OF 8 REV: T
MATERIAL: -		CUSTOMER DRAWING	

REV	DATE	DESCRIPTION	DATE	DWN	APVD
ES	00	SEE SHEET 1			

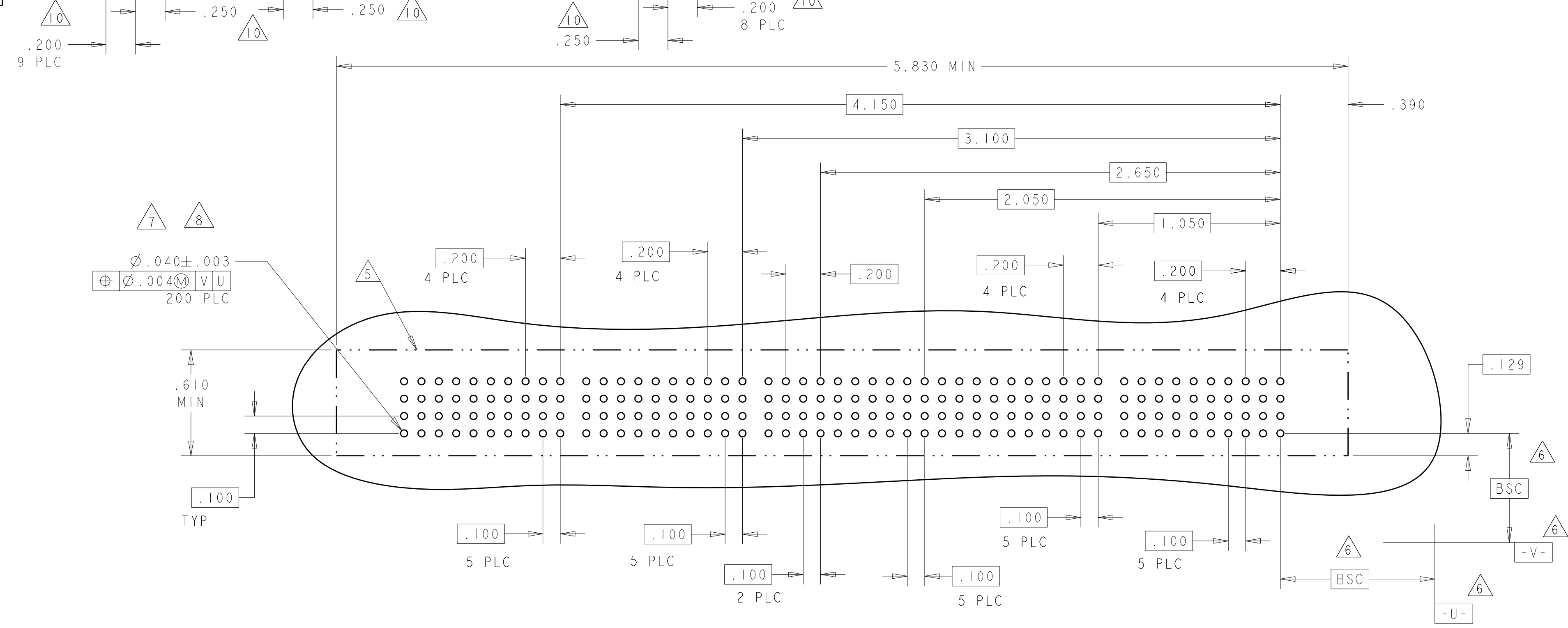
PART NUMBER	ROWS	POWER						SIGNAL					POWER								
		P12	P11	P10	P9	P8	P7	5	4	3	2	1	P6	P5	P4	P3	P2	P1			
I-1450540-2	D C B A	GP	GP	GP	GP	GP	GP	AP	AP	AP	AP	AP	GP	GP	GP	GP	GP	GP			
6P + 20S + 6P		HD																			



PART NUMBER	ROWS	POWER			SIGNAL					POWER			
		P6	P5	P4	6	5	4	3	2	1	P3	P2	P1
2-1450540-0	D C B A	GP	GP	GP	AP	AP	AP	AP	AP	AP	GP	GP	GP
3P + 24S + 3P		HD											



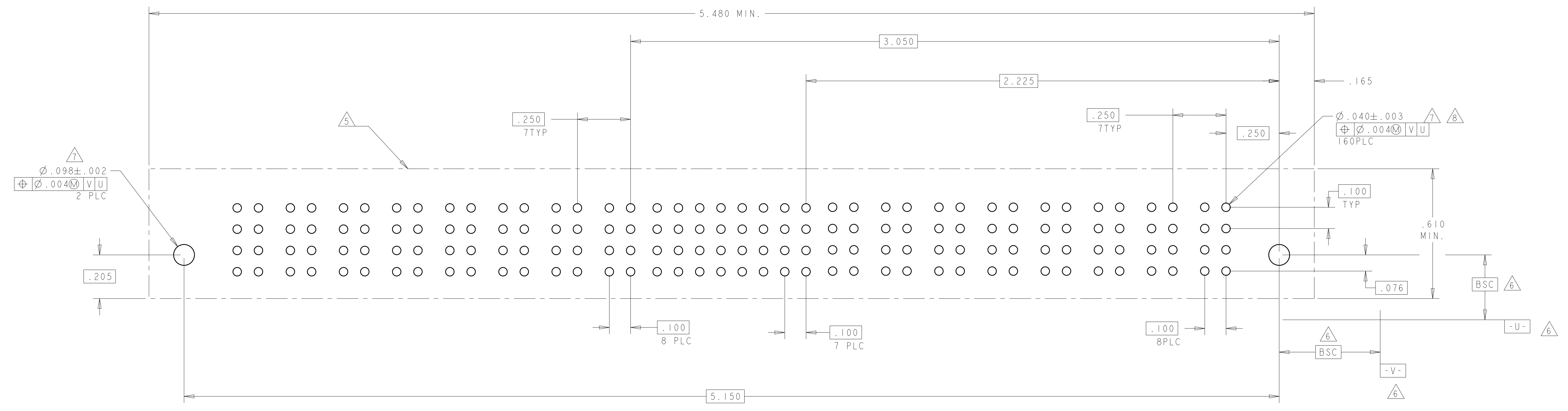
PART NUMBER	ROWS	POWER										SIGNAL					POWER												
		P22	P21	P20	P19	P18	P17	P16	P15	P14	P13	P12	P11	6	5	4	3	2	1	P10	P9	P8	P7	P6	P5	P4	P3	P2	P1
I-1450540-4	D C B A	GP	GP	GP	GP	GP	GP	GP	GP	GP	GP	GP	AP	AP	AP	AP	AP	AP	GP	GP	GP	GP	GP	GP	GP	GP	GP	GP	
10P + 24S + 12P		HD																											



DIMENSIONS: INCHES 		TOLERANCES UNLESS OTHERWISE SPECIFIED: 9 PLC ±.01 5 PLC ±.01 4 PLC ±.0020 ANGLES ±.020		DWN: T. SNYDER 27JUN2001 CHK: M. SHERMAN 18JUL2001 APVD: M. SHERMAN 18JUL2001		Tyco Electronics Corporation Shanghai, P.R. China, 200233	
MATERIAL: - FINISH: -		WEIGHT: - CUSTOMER DRAWING		NAME: VERTICAL RECEPTACLE ASSEMBLY WITH GUIDES MULTI-BEAM XL APPLICATION SPEC: 108-1973 SIZE: 114-13038 SCALE: 1:1		SHEET 6 OF 8 REV T	

LOC	DIST	REVISIONS			
P	LTG	DESCRIPTION	DATE	OWN	APVD
ES	00	SEE SHEET 1	-	-	-

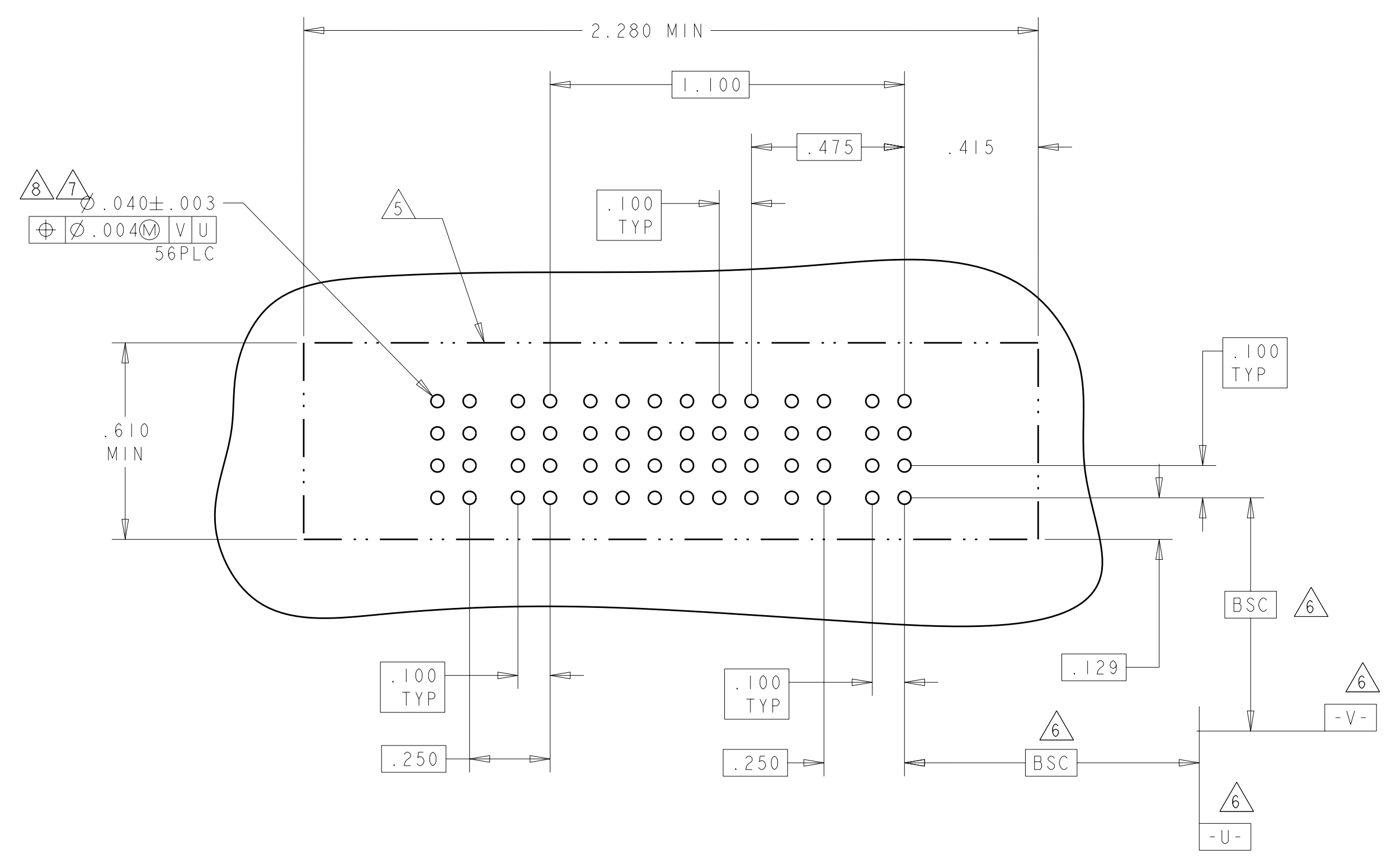
PART NUMBER	ROWS	POWER								SIGNAL								POWER											
		P16	P15	P14	P13	P12	P11	P10	P9	8	7	6	5	4	3	2	1	P8	P7	P6	P5	P4	P3	P2	P1				
4-1450540-9	D	GS	GS	GS	GS	GS	GS	GS	AP	AP	AP	AP	AP	AP	AP	AP	GS	GS	GS	GS	GS	GS	GS	GS					
	C								AP	AP	AP	AP	AP	AP	AP														
	B								AP	AP	AP	AP	AP	AP	AP														
	A								AP	AP	AP	AP	AP	AP	AP														
8P + 32S + 8P																													

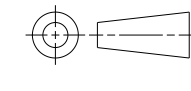


<small>THIS DRAWING IS UNPUBLISHED. RELEASED FOR PUBLICATION. ALL RIGHTS RESERVED. THIS DRAWING IS UNPUBLISHED. RELEASED FOR PUBLICATION. ALL RIGHTS RESERVED. THIS DRAWING IS UNPUBLISHED. RELEASED FOR PUBLICATION. ALL RIGHTS RESERVED.</small>		DWN T. SNYDER 27JUN2001 CHK M. SHERMAN 18JUL2001 APVD M. SHERMAN 18JUL2001	Tyco Electronics Corporation Shanghai, P.R.China. 200233
DIMENSIONS: INCHES 	TOLERANCES UNLESS OTHERWISE SPECIFIED: 9 PLC ±. 8 PLC ±.01 5 PLC ±.005 4 PLC ±.0020 ANGLES ±.2°	NAME VERTICAL RECEPTACLE ASSEMBLY WITH GUIDES MULTI-BEAM XL PRODUCT SPEC 108-1973 APPLICATION SPEC 114-13038 WEIGHT - SCALE 1:1	RESTRICTED TO A 00779 C-1450540 SHEET 7 OF 8 REV T
MATERIAL - FINISH -		CUSTOMER DRAWING	

LOC	DIST	REV	DATE	BY	APPV
ES	00				
REVISIONS					

PART NUMBER	ROWS	POWER		SIGNAL						POWER	
		P4	P3	6	5	4	3	2	1	P2	P1
5-1450540-8	D C B A	HS	HS	BP	BP	BP	BP	BP	BP	HS	HS
				BP	BP	BP	BP	BP	BP		
				BP	BP	BP	BP	BP	BP		
				BP	BP	BP	BP	BP	BP		
2P + 24S + 2P											



<small>THIS DRAWING IS UNPUBLISHED. RELEASED FOR PUBLICATION 2000. ALL RIGHTS RESERVED. THIS DRAWING IS UNPUBLISHED. RELEASED FOR PUBLICATION 2000. ALL RIGHTS RESERVED. THIS DRAWING IS UNPUBLISHED. RELEASED FOR PUBLICATION 2000. ALL RIGHTS RESERVED.</small>		DWN T. SNYDER 27JUN2001 CHK M. SHERMAN 18JUL2001 APPV M. SHERMAN 18JUL2001	Tyco Electronics Corporation Shanghai, P.R.China. 200233
DIMENSIONS: INCHES 	TOLERANCES UNLESS OTHERWISE SPECIFIED: 9 PLC ±. 8 PLC ±.01 7 PLC ±.01 6 PLC ±.005 5 PLC ±.0020 ANGLES ±.0°	NAME VERTICAL RECEPTACLE ASSEMBLY WITH GUIDES MULTI-BEAM XL PRODUCT SPEC 108-1973 APPLICATION SPEC 114-13038 WEIGHT - CUSTOMER DRAWING	SIZE A CAGE CODE 00779 DRAWING NO C=1450540 RESTRICTED TO - SCALE 1:1 SHEET 8 OF 8 REV T